



Swimming Pool Fence Details

Planning & Economic Development
Phone: 519-930-3510 • E-mail: zoning@london.ca

For City of London Use Only

Application number

Application date (yyyy-mm-dd)

Municipal Address: _____

Type of Swimming Pool: Inground Above ground

Fence Construction Definitions:

Horizontal Spacing – the vertical distance between the horizontal structural members.

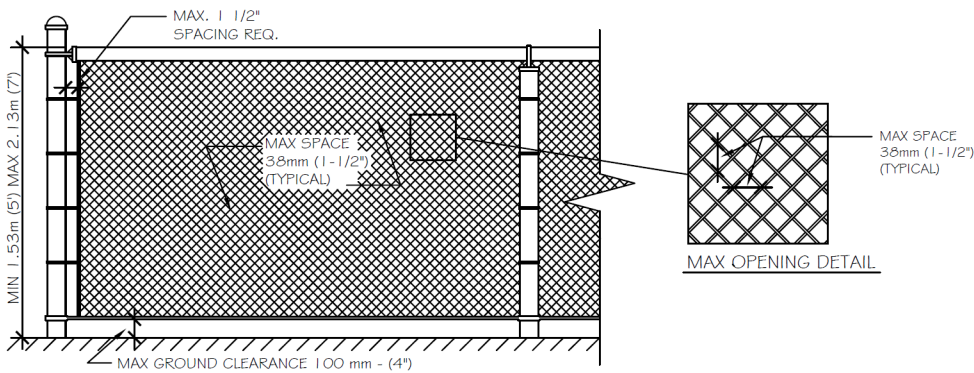
Height – total height of the fence from ground to top of fence (including lattice).

Ground Clearance – distance between ground and bottom of fence.

Max Openings – measurement between links, pickets, or boards. See below “max opening detail”.

Examples of Fence Types (choose most applicable fence type(s)):

Chain-Link Fence

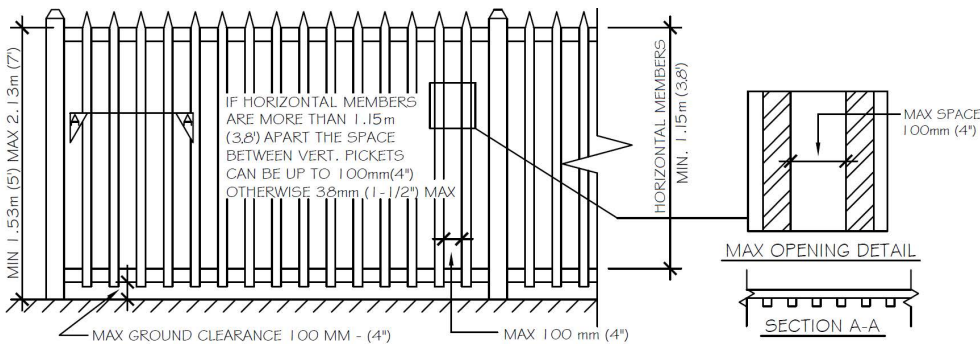


Height: _____

Ground Clearance: _____

Max Openings: _____

Wrought Iron/Picket Fence



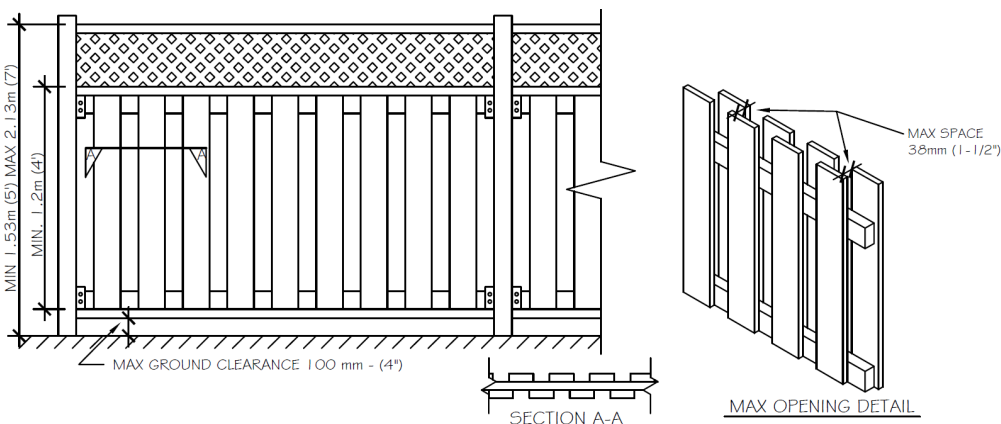
Horizontal Spacing: _____

Height: _____

Ground Clearance: _____

Max Openings: _____

Wood Fence



Horizontal Spacing: _____

Height: _____

Ground Clearance: _____

Max Openings: _____

Other Fence Type (specify and provide images): _____

Picture and details of fence and pool gate from company required if fence is around rim of above ground pool.

Horizontal Spacing: _____

Height: _____

Ground Clearance: _____

Max Openings: _____